



# HERTFORDSHIRE ENGINEERS' LUNCHEON CLUB

# NEWSLETTER

<http://www.helc.org.uk>

May 2017

## EVENTS CALENDAR

### LUNCH TALKS

THAMES TIDEWAY TUNNEL	18 May 2017	<a href="#">Page 3</a>
WHERE THE WILD THINGS ARE	15 June 2017	<a href="#">Page 3</a>

### AWAY VISITS

AWAY VISIT TO SHROPSHIRE	7 – 11 May 2017	<a href="#">Page 5</a>
AUTUMN BREAK TO BOURNEMOUTH	22 – 25 Sept 2017	<a href="#">Page 7</a>

### DAY VISITS

BRITISH MOTOR MUSEUM GAYDON	16 May 2017	<a href="#">Page 10</a>
KELVEDON HATCH SECRET NUCLEAR BUNKER *	4 July 2017	<a href="#">Page 11</a>
NATIONAL SPACE CENTRE, LEICESTER *	12 Sept 2017	<a href="#">Page 12</a>

### WALKS

WATERFORD HEATH AND STAPLEFORD	17th May 2017	<a href="#">Page 13</a>
TEWIN	1st June 2017	<a href="#">Page 13</a>

\* Please indicate your interest in these visits as soon as possible either by E-Mail to John Hammond at [john.hammond1@btinternet.com](mailto:john.hammond1@btinternet.com) or by text or phone message. Mobile phone number is in distributed copy of Newsletter.

Don't forget to send in your lunch booking forms on [Page 17](#) before the deadline dates for the relevant Lunches. The Talks listed above will be given after the lunches on the dates shown. Note that the bar will be open from 11.30, and the lunch is at 12.30.

## **SAFETY AND INSURANCE AT CLUB EVENTS INCLUDING MEETINGS, WALKS, AWAY BREAKS AND VISITS.**

We stress the importance of Members taking reasonable care to prevent accidents and damage. Also we are asked by our insurers to remind members that it is their personal responsibility to decide on the level of their capability and whether they should participate in each of the Club activities.

Insurance is the responsibility of individual members and their guests. The Club has arranged insurance cover with the Ecclesiastical Insurance Company for Public Liability claims against Members whose names and addresses are recorded in the Club's Membership Register. Member's Guests are not included in our insurance. Only those members who have paid their annual subscription and returned the Annual Registration Form are included on the Register and are insured. If you are in any doubt about the inclusion of you or your spouse in the Register you should check with the Membership secretary.

The Club arranges risk assessments for our Events but before joining in any Club event, Members must ensure they are briefed about unusual risks. Members must also ensure they can cope safely with the weather, ground conditions and other hazards by wearing or carrying suitable clothing, footwear, walking aids and other protective equipment.

Where walks are arranged, brief details of the proposed walk will be given to each member via the Newsletter prior to the event. Members wishing for earlier information should contact the Walk Organiser.

The Committee reserves the right to refuse applications for participation in any Club activity when they judge an unacceptable risk may occur.

When the Club arranges activities which involve Coach Travel, such travel will be an integral part of the cost, which will not be reduced if Members travel independently. Payments made by Members when booking a Club activity are not refundable in any circumstances should the member decide to cancel any part of his booking. Exceptionally, the Committee may decide to make an ex-gratia payment in compensation.

## **DAY VISITS - FURTHER DATES FOR YOUR DIARY**

HELC will be arranging a further day visit on the **24th October 2017**. Details of this visit will be advised at a later date.

## **WALKS**

Thanks to everyone who has volunteered to lead a walk in 2017. We have now got leaders for all months, from March to November. Our walks are generally quite easy and suitable for most reasonably fit members. Anyone who would like to join one of the walks should contact the walk leader by phone or e-mail.

## INFORMATION ON TALKS

### 18 MAY 2017 - THAMES TIDEWAY TUNNEL

**Speaker: Geoff Loader**

Every year, tens of millions of tonnes of raw sewage discharges into the tidal River Thames from London's Victorian sewers. To tackle this unacceptable problem Tideway is constructing the Thames Tideway Tunnel, a 25km long interception, storage and transfer tunnel under the Thames, collecting sewage from the 34 most polluting discharge points along the river. The Thames Tideway Tunnel is the largest privately financed infrastructure project in Europe.

Geoff Loader, Head of Stakeholder Engagement, will highlight the history of London's current sewerage network and how this £4.2 billion project will clean up the River Thames, deliver wider benefits to the community, and leave a lasting legacy for London.



### 15 JUNE 2017 - WHERE THE WILD THINGS ARE

**Speaker: Wendy Hartnell Herts & Middlesex Wildlife Trust**

Herts & Middlesex Wildlife Trust is the leading voice for wildlife conservation in the two counties. With more than 40 nature reserves, they take practical action to help secure the future of habitats and wildlife, from beautiful bluebell woods and crystal-clear chalk streams to water voles and dragonflies.

Wendy Hartnell will give an overview of the work carried out across the county by the Herts & Middlesex Wildlife Trust. She will also explain the Trust's Living Landscape approach to conservation and the importance of linking every patch of good habitat to provide a network of places for wildlife to live.



You can find out more about the Trust's work and events online at: [www.hertswildlifetrust.org.uk](http://www.hertswildlifetrust.org.uk)

## FUTURE LUNCH PROGRAMME PLANS

(Some bookings are provisional)

20 July 2017	The Plight of the Humble Bee	David Brown
17 August 2017	Did we have to lose America?	Malcolm Rainbow
21 Sept 2017	Technology Developments In Medicine	Dr Helen Meese
19 October 2017	To be announced	
16 Nov 2017	Trekking in the 'Stans	Emma Rosen
21 Dec 2017	Travellers Rails	Clint and Jude Bull

### FINDING NEW LUNCH TALKS, TRIPS, AWAY BREAKS AND WALKS

To remain a vibrant and exciting club we need a continual stream of new lunch talks, trips, away breaks and walks. At a recent lunch the Chairman put forward an idea stolen from his Probus club, namely that a group of people work together to organise events. That has a number of obvious benefits, such as stimulating one another with ideas, sharing tasks, and exploiting individual skills, experience and enthusiasm.

We are delighted that Ron Verran, David Purser and John Deans have formed a dream-team to organise Away Breaks, and their efforts have already borne fruit in the exciting trip to Bournemouth in September. It would be great to emulate that success on other events, so please don't hang back, please offer to help: you don't have to join the Committee. The following people would love to hear from you:

John Hammond	Day Visits Organiser	<a href="mailto:Visits@helc.org.uk">Visits@helc.org.uk</a>	}	See distributed copy of Newsletter for phone numbers
Roy Franklin	Joint Speaker Secretary	<a href="mailto:SpkrSecretary@helc.org.uk">SpkrSecretary@helc.org.uk</a>	}	
Vernon Clough	Walks Secretary	<a href="mailto:Walks@helc.org.uk">Walks@helc.org.uk</a>	}	

Please contact the above, or any Committee member, if you have any ideas for events, even if you are unable to help organise those events. All ideas for events are welcome.

### RECRUITMENT OF NEW MEMBERS

There is no doubt that the best method of recruitment is word of mouth. Please note the widening scope of membership qualifications being introduced, now includes professional scientists and others who have held positions of responsibility for substantial engineering-related projects. So please invite any such professional engineer, scientist or technologist, whom you know would also enjoy being a member of HELC, to join you for lunch.

Please try to bring someone younger than yourself, otherwise we won't achieve our objective of lowering the average age of Members. We try to spread Committee Members around the lunch tables, so please use this opportunity to put forward your views on the future direction of the Club.

**HELIC Visit to Shropshire**  
**Including the Ironbridge World Heritage Site,**  
**Boat trip on the River Severn,**  
**RAF Museum, Cosford,**  
**Severn Valley Steam Railway Trip,**  
**Guided Tour of Shrewsbury,**  
**Attingham Park (NT),**  
**Kidderminster Carpet Museum.**

Staying at the Lion Hotel Shrewsbury with  
arrival Sunday 7<sup>th</sup> and departure Thursday 11<sup>th</sup> May 2017

Arranged by Peter & Shirley Greatrex in conjunction with Kevin Brooks of Cannon Travel

**TWO PLACES MAY STILL BE AVAILABLE.**

**PLEASE CONTACT KEVIN BROOKS AT CANNON TRAVEL**

### **Itinerary up date**

The revised itinerary includes changes necessary because of coach access limitations at the Severn Valley railway and other changes to make the visit less strenuous. The visits to the Highley Engine House and Dudmaston Hall have been replaced by a guided tour of the Kidderminster Carpet Museum that includes a demonstration of a working carpet loom.

The coach pick up times that were originally scheduled by Cannon to start at 7.30 am have been put back so that pick up is now begins at 9.00 am at Hanbury Mews, 9.20 am Welwyn Garden City and 9.40 am Harpenden.

### **Refunds by Cannon Travel**

1 **Room Charges.** Because of the confusion caused by the incorrect up-dating of their spread sheet on this visit's costs Cannon have agreed that the charges for each room type should be at the lower value of the charge for each room given either in their initial proposal or the charge they finally agreed with Peter Greatrex.

The actual room charges per person are thus:

- |                                 |      |
|---------------------------------|------|
| 1. Standard twin or double room | £490 |
| 2. Superior twin or double room | £510 |
| 3. Standard single room         | £610 |

Cannon have undertaken that their Tour manager will give cash refunds on the Coach to those who have paid more than these charges. Members should check individually what they have paid to make sure they get the correct refund.

2 ***Entry fees to the Ironbridge Gorge Heritage Site.*** It is Cannon's policy that for any of the visit/trips if anyone qualifies for free entry because they are a member of a particular club/association they will be refunded any entrance fees that Cannon may have charged.

Members of the "Art Fund" in possession of a "National Art Pass" will thus be eligible for a refund of the Ironbridge entrance charge which had been included in the cost of this visit. I suggest Art Fund members tell Kevin Brooks of their membership to make sure the Tour Manager is adequately funded for their reimbursement.

### **Hazard Risk Assessment**

We are now required by our Public Liability Insurers to carry out a risk assessment for any Club activity. This was done for this visit by John Hammond, David Bell and David Purser and the assessment was shared with Cannon who accepted that the actions called for were generally the responsibility of their tour manager who will be briefed accordingly. Cannon do their own Risk Assessments and suggested that members should additionally, in their own interests, provide the Tour Manager with a list of their normal medication. This may be conveniently given in a self addressed sealed envelope together with the details of their emergency contacts. The envelope would then be returned or destroyed at the end of the visit.

### **The address for all enquiries is:**

**Mr Kevin Brooks,  
Cannon Travel,  
96 High Street,  
Hoddesdon, Hertfordshire.  
EN11 8HD  
Tel: 01992 441521  
Fax: 01992 440342  
[kevin@cannontravel.co.uk](mailto:kevin@cannontravel.co.uk)**

John Deans

**HELC Autumn Break 22 – 25 September 2017**  
**£195 per person DB&B, Hotel Royale, Bournemouth**



**There are still quite a few places available for our Autumn Break at the Best Western 3 star Hotel Royale, situated in the East Cliff area of Bournemouth. So please complete and return the attached booking form to Ron Verran if you would like to come. We are now also making this trip available to friends of HELC members. Hotel details are in the January Newsletter.**

The three night stay begins with dinner on Friday evening (Note: the preferential room rate is also available for 20<sup>th</sup> and 21<sup>st</sup> if you would like to arrive earlier for a longer stay). On Saturday we are planning a guided walk around Bournemouth with lunch at a local pub and an evening entertainment at the hotel. Our experienced walk guide, John Pannell, is a Bournemouth Ambassador and retired local hotelier. The one hour walk takes in stunning views of Bournemouth Bay, the gardens and town centre. On Sunday we are planning a day trip to Beaulieu and Buckler's Hard, by coach if there are sufficient numbers. Beaulieu has a variety of attractions, including the National Motor Museum, Palace House (home of the Montague family), Beaulieu Abbey and Exhibition, extensive Grounds and Gardens, a Monorail and other delights. If there is sufficient interest we will book guided group tours of the Motor Museum and/or the House, with lunch at the restaurant. On our way back we plan to call in at the very attractive Buckler's Hard Village and Maritime Museum.

For those of you wishing to explore independently there are many attractions in Bournemouth and the surrounding area. In addition to the sea front, pier and gardens, the Russel Coates Art Gallery and Museum, with its garden and tea room (close to the pier and a few minutes from our Hotel) is well worth a visit.

In the centre there are all the main department stores, together with a number of individual specialist shops, but the separate areas of Boscombe, Southbourne and Westbourne each have their own individual style that needs to be experienced. A particular feature of Bournemouth is its gardens, both those centrally and those within the areas such as Boscombe. Also nearby in Poole are Compton Acres Gardens.

If you wish to enjoy the area in a relaxed fashion, there are Land Trains which run from Boscombe Pier to Bournemouth Pier via Boscombe High Street and Boscombe Gardens or from Bournemouth Pier to Alum Chine, or go from Boscombe Pier to Bournemouth Pier via the East Overcliff, or out to Hengisbury Head.

Local buses (free with bus pass!) and City Sightseeing Buses will take you through Bournemouth to Sandbanks and Poole Harbour and link with boat cruises around Poole Harbour, to Brownsea Island or out to Swanage – where you can pick up the steam railway to Corfe. Any combination of these makes a great day out. Further afield, but still within easy reach are Bovington Tank Museum and the National Trust property of Kingston Lacy.

The cost of this holiday will be £195.00 per person for the hotel accommodation only. The cost of any trips or visits is yet to be determined, and will be notified to you before the final payment is due at the end of June. We have reserved 40 rooms, including 10 single rooms (for which there is no single supplement) and we expect demand for this trip to be high so you are advised to book early to avoid disappointment.

If you wish to join this trip please complete the form on the next page and send it with a deposit of £50.00 per person, plus a stamped self addressed envelope for acknowledgement of your booking.

The main outing on the Bournemouth trip is: Beaulieu and Bucklers Hard - Sunday 24<sup>th</sup> September



This day visit starts on Sunday morning with coach\* travel planned to Beaulieu. On arrival at Beaulieu members are free individually to enjoy the many attractions including the park, palace, abbey, gardens and motor museum, but we are also offering a guided tour of the motor museum and a guided tour of the Palace at no extra cost.



These will be followed by a buffet lunch in the restaurant. After lunch we depart by coach for a visit to Bucklers Hard, the maritime museum site, including a boat trip on the Beaulieu river. We then return on the coach to Bournemouth.



\*Coach travel is dependent on the number wishing to go on the trip. If numbers are small we may resort to car sharing

**If you have already booked for Bournemouth (or are planning to) please tick which of the following activities you would like to join and email to David Purser on [AwayBreaks@helc.org.uk](mailto:AwayBreaks@helc.org.uk)**

·  Beaulieu and Bucklers Hard visit £20:00 including 30 minute river boat trip at Bucklers Hard . + Coach £ 12.50-£15:00 (coach cost to be advised or if numbers are low travel by car share)  
If attending this visit please also indicate interest in:

- Buffet lunch at Beaulieu (£9 per head)
- Motor museum guided tour (free)
- Palace guided tour (free)

**Activities in Bournemouth:**

- Guided walk of Bournemouth (£3.00)
- Quiz evening
- Musical or other entertainment in the Hotel (to be advised)



**HELCL Bournemouth Visit 22 -25 September 2017.**

**£195 per person DB&B, Hotel Royale, Bournemouth**

**Initial Application Form to be returned with £50 deposit per person payable to HELCL.**

**1. Names (print please)**

.....  
.....

**2. Address.....**

.....  
.....  
.....

**3. Tick Accommodation required:**

- Single
- Twin
- Double

**4. Initial Deposit £50 per person enclosed: (.....)**

**Return with your deposit and a stamped self addressed envelope for acknowledgement of your booking to:**

*Mr Ronald Verran,*

*Address in the distributed copy of the Newsletter*

**Cheques should be made payable to HELCL.**

## DAY VISIT TO THE BRITISH MOTOR MUSEUM GAYDON, WARWICKSHIRE – TUESDAY 16<sup>TH</sup> MAY 2017

HELC has planned a visit to The British Motor Museum (formerly known as the Heritage Motor Museum) for Tuesday 16<sup>th</sup> May 2017. The museum is located at Banbury Road, Gaydon, Warwickshire CV35 0BJ and has an extensive collection of historic British vehicles.

For more information please see the museum website [www.britishmotormuseum.co.uk](http://www.britishmotormuseum.co.uk)

There are two options for tickets as follows

- i) Group Entry (min 12 persons) **for one visit only on the day** (not Gift Aided) at £9.00 per person, or
- ii) Entry as Senior Concession (Gift Aided) at £12.00 per person **for which the ticket can be used on multiple occasions during the following 12 months (but not on 5 special event days** – see Museum calendar on the website). Gift Aided tickets must be bought personally.

Travel by coach is unlikely to be viable unless we have around 45 members/partners/guests attending so it is proposed to travel by car (but encouraging members to get together and car share where possible). A typical distance e.g. St Albans to Gaydon is around 72 miles with a single journey duration of around an hour and a half by car.

We should allow around 3 – 4 hours to enjoy the museum, (which is access friendly and has a cafeteria restaurant for snacks or lunch and which can cater for special dietary needs)

**This visit is open initially to only to HELC members accompanied by a maximum of one spouse/partner or guest only per member.**

I have set the cost for the museum visit at £12.00 per person for the multi-visit ticket to which you will need to budget additionally for your travel costs and refreshments and/or lunch.

**Early booking is recommended and a condition of booking is that you MUST provide a contact name and telephone number in case of accident, illness or other emergency.**

Please return the booking form to **John Hammond, 7 Pond Lane, Baldock, Hertfordshire, SG7 5AS.**

**E-Mail:** [john.hammond1@btinternet.com](mailto:john.hammond1@btinternet.com)

*Phone numbers in distributed copy of newsletter.*

<b>BOOKING FORM. BRITISH MOTOR MUSEUM VISIT – GAYDON - TUESDAY 16<sup>TH</sup> MAY 2017</b>			
Please book _____ places for the HELC visit to The British Motor Museum, Gaydon			
I will pay the £12.00 per person Gift Aided fee in advance or on the day <b>for a multi-visit ticket, or</b> I enclose a £9.00 per person Group Entry Fee ( <b>payable in advance to HELC</b> ) <b>for entry on the day only and subject to a minimum of 12 persons forming the group.</b>			
<b>Total payable to HELC £.....</b>			
HELCC Member Name: .....			
Address.....			
Tel: ..... Mobile.....			
E-Mail: .....			
My Spouse/Partner or Guest (One only): .....			
In case of Emergency Contact.....Tel.....			
I will drive Y / N	I can offer a lift? Y / N	No of Lift Seats ...	I/we would like a lift Y / N

**FUTURE HELC DAY VISIT TO  
KELVEDON HATCH SECRET NUCLEAR BUNKER  
TUES 4<sup>TH</sup> JULY 2017**

On 4<sup>th</sup> July 2017 a visit is being planned to the **Kelvedon Hatch Secret Nuclear Bunker** which was the largest and deepest cold war bunker that has been opened to the public.

A conducted tour of the bunker takes around an hour but more detailed study of the exhibits in the bunker can extend this time considerably.

The Bunker had three lives starting with its role as an RAF ROTOR Station, followed by a brief period as a civil defense centre through to its most recent life as a Regional Government HQ.

Designed for up to 600 military and civilian personnel, possibly even the Prime Minister, its collective task was to organise the survival of the population in the awful aftermath of a nuclear war.

It was designed to accommodate large numbers of civilian and military personnel at a time of nuclear attack and was built on land requisitioned from a local farmer. As the Cold War died down, the bunker and its ancillary systems were no longer required by the Government, and was costly to keep on standby. Upon decommissioning in 1992 the bunker was bought back from the government by the Parrish family, at a closed bid public auction, and is now privately owned.

There is limited access for disabled people and there are some stairs to negotiate to some parts of the bunker. Sensible shoes should be worn. There is a café/coffee shop for refreshments.

Final costs have not yet been calculated but will be of the order of £15.00 to include entry to the bunker and refreshments on arrival. To this, you need to add your costs of transport.

However, if there is a HELC group of 40 or more, travel by coach will be viable for which the cost would be approximately £20 per person with pick-up points in N.Herts, Welwyn Garden City and Hatfield.

This visit would also be viable for a smaller group without coach travel, but travelling by car and car-sharing where possible for which you would be responsible for your own travel costs.

**Please would you indicate your interest in this visit as soon as possible either by E-Mail to John Hammond at [john.hammond1@btinternet.com](mailto:john.hammond1@btinternet.com) or by text or phone message.**

*Mobile phone number is in distributed copy of Newsletter.*

Booking forms will be issued as soon as we can ascertain if travel will be by coach or car.

It will be a condition of booking that you must provide a contact name and telephone number in case of accident, illness or other emergency.

**FUTURE HELC DAY VISIT TO  
NATIONAL SPACE CENTRE - LEICESTER  
TUES 12<sup>TH</sup> SEPTEMBER 2017**

The second of two HELC day visits for the summer period of 2017 is planned for Tuesday 12<sup>th</sup> September 2017 to the **National Space Centre** at Leicester which is unique in the UK as a centre exhibiting the history and exploration of space.

There are six specific galleries at the centre including a history gallery and an astronaut gallery, a rocket tower and the UK's largest planetarium as well as a large number of space artifacts. The centre has a restaurant/café.

Final costs have not yet been calculated but will be of the order of £15.00 to include entry to the centre and light refreshments on arrival. To this, you need to add your costs of transport.

This visit would be viable for a small group (without coach travel), but travelling by car and car-sharing where possible for which you would be responsible for your own travel costs and there is a charge of £ 3.00 per vehicle for car parking at the centre.

However, if there is a HELC group of 40 or more, travel by coach may be viable for which the estimated cost would be approximately £20 per person with pick-up points in Hatfield, Welwyn Garden City and possibly a third pick-up venue as yet to be defined.

**Please would you indicate your interest in this visit as soon as possible either by E-Mail to John Hammond at [john.hammond1@btinternet.com](mailto:john.hammond1@btinternet.com) or by text or phone message.**

*Mobile phone number is in distributed copy of Newsletter.*

Booking forms will be issued as soon as I can ascertain if travel will be by coach or car and determine actual costs more accurately.

It will be a condition of booking that you must provide a contact name and telephone number in case of accident, illness or other emergency.

## FUTURE EVENTS - WALKS

### MAY WALK - WED 17 MAY – WATERFORD HEATH AND STAPLEFORD

Meet 10.00 at **Waterford Heath car park**, Vicarage Lane, Waterford, Hertford, SG14 3LU to pre-order food and for 10.30 start. After the walk, re-locate for lunch at The Cowper Arms, Cole Green Lane, Hertford SG14 2NL <http://thecowperarmscolegreen.co.uk>.



This Chalk Stream and Heath walk (4.35 miles) takes in the best of the heathland, the river Beane, the nearby Waterford Marsh, Stapleford and its church, and "Breaking the Mould!". There are one or two inclines, no stiles and the walk can be short-cut to 2 miles as required.

Waterford Heath is a former sand and gravel quarry north of Hertford. Quarrying ceased on the site in the early 1990s and work was undertaken to restore it to create a 'community nature park'. It contains a range of habitats including grassland, scrub, plantation woodland and a small area of ancient, semi-natural woodland. The reserve is important for its populations of grizzled skipper butterflies, which feed on the abundant wild strawberry. Skylarks and willow warblers are known to breed on the site and red kites are often seen. In the autumn and winter fieldfares and redwings are regular visitors.

If you would like to come, please contact Ian Reeve [Ian.Reeve@helc.org.uk](mailto:Ian.Reeve@helc.org.uk) or mobile. *Mobile phone number is in distributed copy of Newsletter.*

### JUNE WALK - THURS 1st JUNE - TEWIN

Meet 10.00 at the Rose & Crown PH, Upper Green Road, Tewin, AL6 0LE (to pre-order food) for 10.30 start. [roseandcrowntewin@hotmail.com](mailto:roseandcrowntewin@hotmail.com)



The walk is about 4.25 miles long via Burnham Green and Tewinbury, with views of the imposing Digswell Viaduct. One or two inclines, but no stiles to climb over!

If you would like to come, please contact Jane Kerr *Mobile Contact details are in distributed copy of Newsletter.*

**REPORT OF THE MARCH WALK FROM EPPING GREEN.**

Twelve hardy souls met in light rain at The Beehive in Epping Green. Aably led by John Mose we headed eastwards into open countryside. We passed through Bucks Alley, in this attractive part of East Herts, and eventually on to a path adjoining Essendon Golf Club. From there we turned towards Little Berkhamstead and passing Long Lane farm arrived back at the Beehive. Our sprits had not been dampened by the light rain and were enhanced by a most convivial lunch.



## REPORT OF THE APRIL WALK: BERKHAMSTED CASTLE AND WW1 TRENCHES

This was a different kind of walk from your typical HELC walk - more of a journey through time. It was a pleasant sunny morning when 14 time travellers set off from The Boat Inn on a walk that would not merely stretch legs but also our minds. Our first destination was Berkhamsted Castle, a typical "motte and bailey" Norman castle dating from the 11th Century, where Ken Wallis from the Berkhamsted Local History & Museums Society gave an informative talk on the castle's historical importance.



Berkhamsted's major claim to fame is that it was the place where William the Conqueror accepted the surrender of the Anglo Saxon nobles. The story goes that after the battle of Hastings on 14th October 1066, William led his army through southern England, pillaging as they went. Crossing the Thames at Wallingford, they eventually reached Berkhamsted where they were met by Archbishop Ealdred, the Bishops of Worcester and Hereford, Earls Eadwin and Morcar, and the chief noblemen of London, who swore allegiance to William, and offered him the crown. William proceeded to London where he was crowned king on Christmas Day 1066. To me it sounds like a sell-out. Were the Saxon noblemen rewarded with land and plum jobs - or just allowed to keep their heads?

With our heads brimming with facts about ancient battles, we then set off for Berkhamsted common where Norman Groves, also of the Local History and Museums Society told us about Berkhamsted's importance as a centre for troop training during the First World War. During the course of the War 12,000 troops passed through the training camp before being sent off to the front line. A major part of their training was in trench warfare. In total they dug 7.5 miles of full scale, man-deep, trenches. At the end of the war most of them were filled in but some escaped the shovels and approximately 500 metres remain visible today.



Having walked uphill to the site of the WW1 trenches it was a gentle stroll downhill back to The Boat for a very good lunch. Our thanks to Jack Blackett for leading this walk and for arranging the guides.

**BRAINTEASERS**

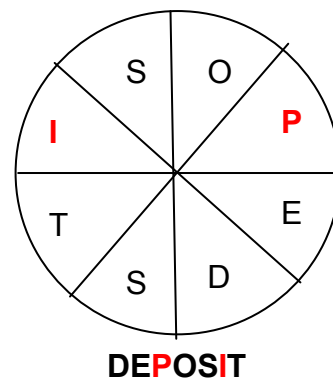
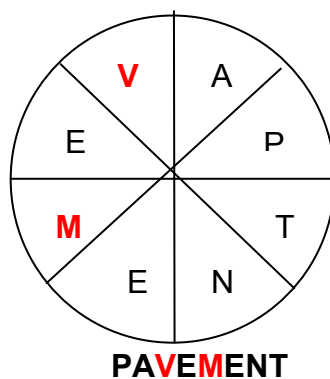
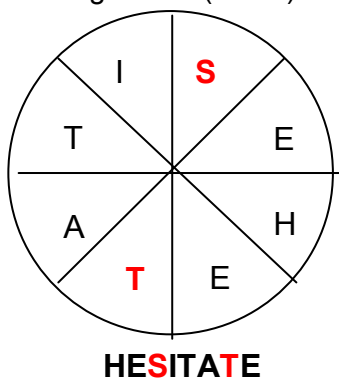
- Here's one from Peter Greatrex: What four words go before all of the following: PS, COS, POA, GOF, OOTP, H-BP and DH?
- What **5-digit number** (×) has the following features:  
If we put the numeral 1 at the beginning, we get a number three times smaller than if we put the numeral 1 at the end of the number.
- When asked about his birthday, a man said: "The day before yesterday I was only 25 and next year I will turn 28."

This is true only one day in a year - when was he born?

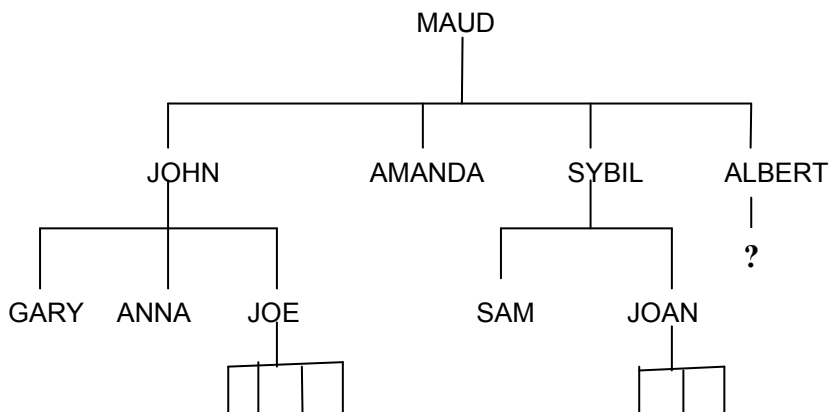
---

Answers to March puzzles

- Missing letters (in red) are as follows:-



- How many children has Albert?



Albert has 1 child. (Give the vowels values: A = 0, E = 1, I = 2, O = 3, U = 4. Adding these in each name gives the number of children)



## LUNCHEON BOOKING FORMS

Lunches **must be booked in advance**, by posting the form(s) below. The cost is shown on each Booking Form. Please complete each form and send it with the fee to Paul to arrive before **Friday 9 June 2017** or **Friday 14 July 2017** as appropriate.

Subsequent cancellation will be accepted up until 4 p.m. on the above dates. To cancel either month, ring Paul on **0845 467 9983**. If there is no reply, leave a message including your name, telephone number and how many places you are cancelling. Voicemail messages will be acknowledged. If this acknowledgement is not received within two days, your message has not been received and you should call again. Your money will be held in credit unless you advise otherwise if you have cancelled in time. If you book two meals together, please send **separate cheques** for each month. Unless a stamped addressed envelope is included with the returned Booking Slip, the Club cannot provide acknowledgement receipts.

**IF ANY ITEM ON THE MENU DOES NOT SUIT YOUR REQUIREMENTS, PLEASE DISCUSS WITH PAUL DOUGLAS**

BOOKING FORM FOR 20 JULY 2017		COUNTERFOIL - PAID
<p>The menu for this meal is:  <b>Starter: Smooth Pork Pate with Cumberland Sauce</b>  <b>Main Course: Pieces of Chicken Mediterranean Style or Chef's choice of fish</b>  <b>Vegetables: Lyonnaise Potatoes, Roasted Vegetables, Broccoli</b>  <b>Dessert: Eton Mess- Meringue, Vanilla Cream, Strawberry Coulis &amp; Ice-Cream. Coffee/Tea and Mints</b></p> <p>The talk by <b>David Brown</b> is <b>THE PLIGHT OF THE HUMBLE BEE</b>            I enclose my cheque for <b>£22.00 per person</b> made out to 'HELC'.            Please send <b>individual cheques</b> for each month for which you book.</p>		<p>HELC lunch 20th July 2017 at            Homestead Court Hotel, WGC.</p> <p><b>THE PLIGHT OF THE HUMBLE BEE</b>            Starter: Pork Pate with            Cumberland Sauce            Main: Chicken Mediterranean            Style or Chef's choice of fish            Desert: Eton Mess</p>
Forename	Surname	Date
No. of meat meals required	Telephone number	Total meat meals ordered
No. of fish meals required		Total fish meals ordered
Please complete this form and post it to <b>HELC Lunch, c/o Paul Douglas</b> <i>Address in distributed copy of Newsletter.</i>		<b>Paul Douglas, telephone 0845 467 9983.</b>
BOOKING FORM FOR 15 JUNE 2017		COUNTERFOIL - PAID
<p>The menu for this meal is:  <b>Starter: Classic Prawn Cocktail</b>  <b>Main Course: Cottage Pie topped with Cheesy Mash or Chef's choice of fish</b>  <b>Vegetables: Mixed Baby Corn &amp; Peas; Carrots</b>  <b>Dessert: Blackcurrent Cheesecake with Fruit Coulis, Coffee/Tea and Mints</b></p> <p>The talk, by <b>Wendy Hartnell</b> is <b>WHERE THE WILD THINGS ARE</b>            I enclose my cheque for <b>£22.00 per person</b> made out to 'HELC'.            Please send <b>individual cheques</b> for each month for which you book.</p>		<p>HELC lunch 15th June 2017 at            Homestead Court Hotel, WGC.</p> <p><b>WHERE THE WILD THINGS ARE</b>            Starter: Prawn Cocktail            Main: Cottage Pie topped with            Cheesy Mash or Chef's choice            of fish            Desert: Blackcurrent            Cheesecake</p>
Forename	Surname	Date
No. of meat meals required	Telephone number	Total meat meals ordered
No. of fish meals required		Total fish meals ordered
Please complete this form and post it to <b>HELC Lunch, c/o Paul Douglas</b> <i>Address in distributed copy of Newsletter.</i>		<b>Paul Douglas, telephone 0845 467 9983.</b>